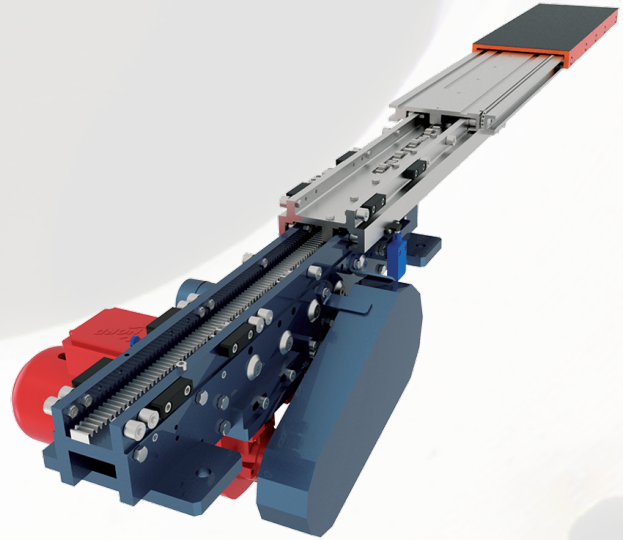




ZEUS 75

Being the double-depth version of the ARES 40, the ZEUS 75 is fit for those applications where a small space of the slides is required.



SINGLE DEPTH

DOUBLE DEPTH

PRODUCT CODE	Q LOAD (KG)	L FIXED BODY LENGTH (MM)	Ls UPPER SLIDE LENGTH (MM)	S2 STROKE (MM)	MAX BENDING UNDER LOAD (MM)
Z75-065	90	650	650	1300	11
Z75-070		700	700	1400	13
Z75-080		800	800	1600	18
Z75-090	70	900	900	1800	21
Z75-100		1000		1950	24
Z75-110		1100	1000	2200	27
Z75-120	40	1200		2400	29

The steel/aluminium fixed body reduces the overall weight. The ZEUS 75 is recommended as single fork with a larger plate on top, to handle small carton or plastic boxes.

TRIPLE DEPTH

COMBINED PRODUCTS

SPECIAL PRODUCTS

