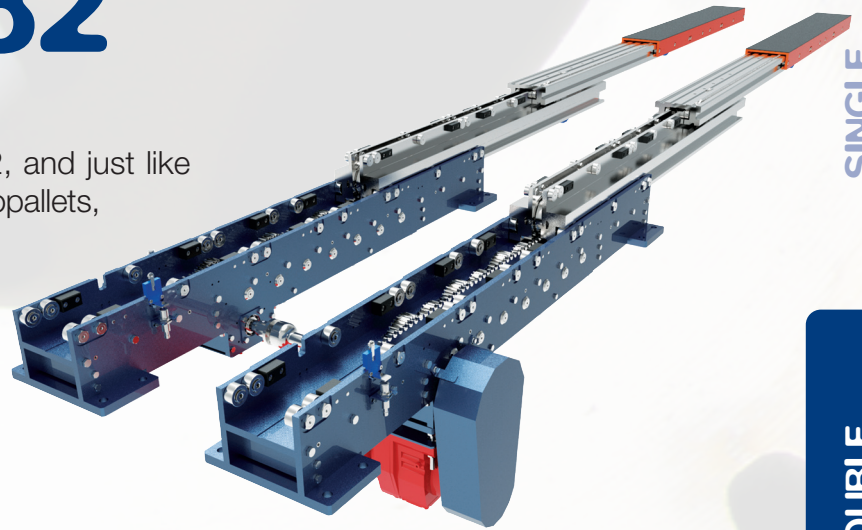




ZEUS 182

It's the bigger sister of the ZEUS 172, and just like the 172 it's designed for handling europallets, but with non-conventional loads. It can rely on a very tough structure and small bending, and it stands high working paces.



SINGLE DEPTH

DOUBLE DEPTH

PRODUCT CODE	Q LOAD (KG)	L FIXED BODY LENGTH (MM)	Ls UPPER SLIDE LENGTH (MM)	S2 STROKE (MM)	MAX BENDING UNDER LOAD (MM)
Z182-110	1000	1100	1100	2300	21
Z182-125	1500	1250	1250	2500	34
Z182-130		1300		2600	41
Z182-135		1350		2700	45
Z182-140	1600	1400		2800	49
Z182-145		1450		2900	54
Z182-150		1500	3000	59	

As for the transmission, both the system with racks and the one with pinions and with chains are available.

TRIPLE DEPTH

COMBINED PRODUCTS

SPECIAL PRODUCTS

