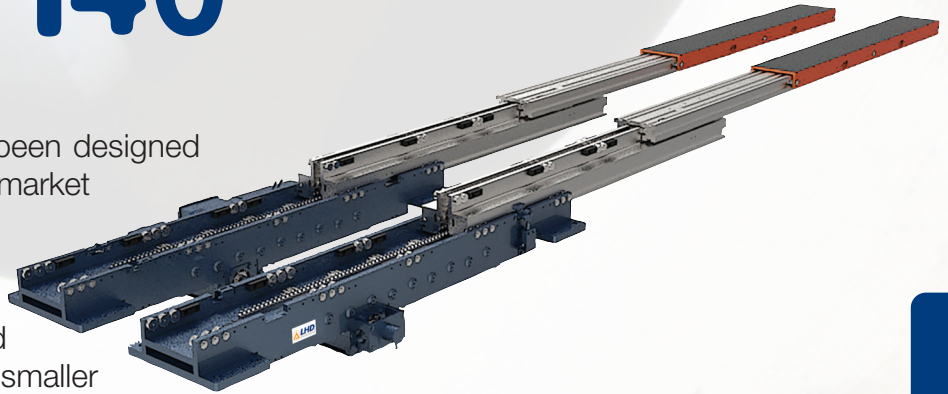




ZEUS 140

This single-engined fork has been designed and developed because the market had been requesting a double-depth telescopic fork with a slender structure, well balanced, with high performances and small bending. It's one of the smaller ZEUS series forks, but it's also the most versatile for handling europallets with standard load and shape.



SINGLE DEPTH

DOUBLE DEPTH

PRODUCT CODE	Q LOAD (KG)	L FIXED BODY LENGTH (MM)	LS UPPER SLIDE LENGTH (MM)	S2 STROKE (MM)	MAX BENDING UNDER LOAD (MM)
Z140-110	500	1100	1100	2000	12
Z140-125		1250		2500	25
Z140-130		1300		2650	31
Z140-135		1350	1250	2750	34
Z140-140		1400		2850	38
Z140-145		1450		2950	42
Z140-150		1500		3000	43

As for the transmission, both the system with racks and the one with pinions and with chains are available.

TRIPLE DEPTH

COMBINED PRODUCTS

SPECIAL PRODUCTS

