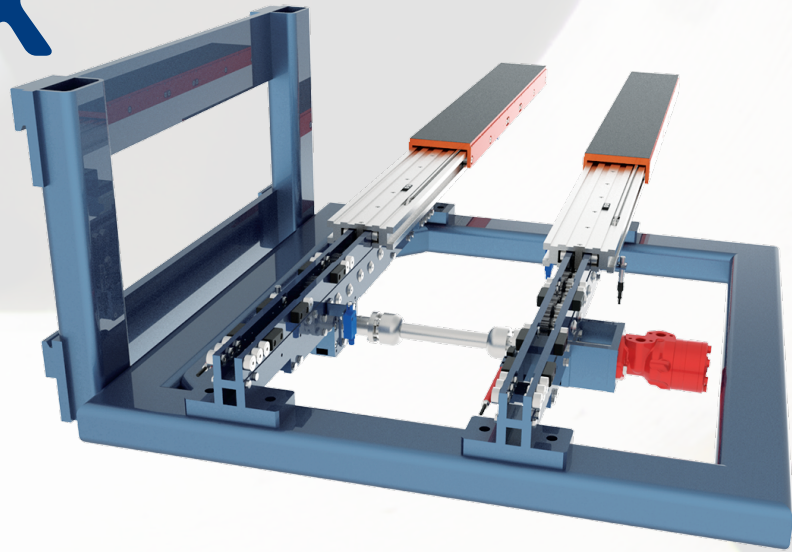




SPHYNX

The SPHYNX is a moving carriage, designed to be installed on the vertical mast of forklift trucks, allowing them to act as a stacker crane on wheels.



SINGLE
DEPTH

DOUBLE
DEPTH

TRIPLE
DEPTH

PRODUCT CODE	Q LOAD (KG)	L FIXED BODY LENGTH (MM)	LS UPPER SLIDE LENGTH (MM)	L FIXED BODY LENGTH (MM)	SL SYSTEM LENGTH (MM)	W WIDTH (MM)	TH TOTAL HEIGHT (MM)
SX-100	1500	1000	1000	1100	UP TO 1250	UP TO 1200	600
SX-110		1100	1100	1200			
SX-120		1200	1200	1300			
SX-130		1300	1300	1400			
SX-140		1400	1400	1500			
SX-150		1500	1500	1600			

In this way, a forklift truck can pick up and lay down pallets laterally in a warehouse, which allows operating in narrower aisles.

COMBINED
PRODUCTS

SPECIAL
PRODUCTS

