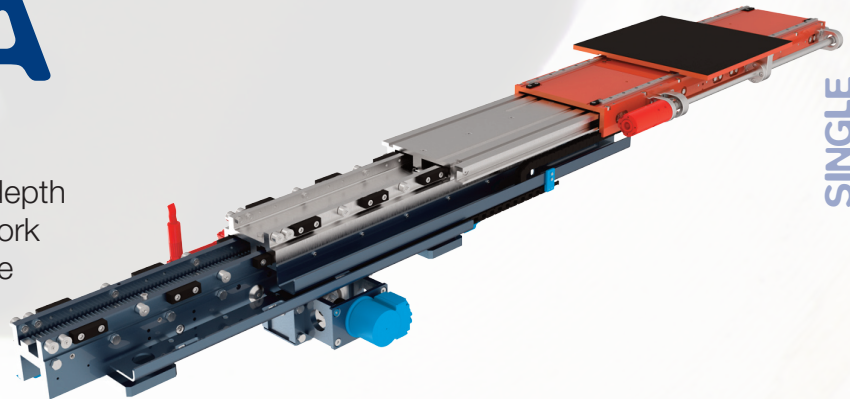




# MEDUSA

The MEDUSA is essentially a double-depth telescopic fork (usually found in a monofork arrangement) with a further moving plate that can shift along the upper slide, regardless the position of the fork.



SINGLE DEPTH

DOUBLE DEPTH

TRIPLE DEPTH

PRODUCT CODE	Q LOAD (KG)	L FIXED BODY LENGTH (M/M)	Ls UPPER SLIDE LENGTH (M/M)	S2 STROKE (M/M)	MAX BENDING UNDER LOAD (M/M)
MD-065	100	650	650	1300	21
MD-070		700	700	1400	25
MD-080	70	800	800	1600	27
MD-090		900	900	1800	35
MD-100	50	1000	1000	2000	38
MD-110	40	1100	1100	2200	44
MD-120	30	1200	1200	2400	48

It allows change the position of a load unit that sits on the upper slide according to customer needs, with no need of side belts.

COMBINED PRODUCTS

SPECIAL PRODUCTS

