

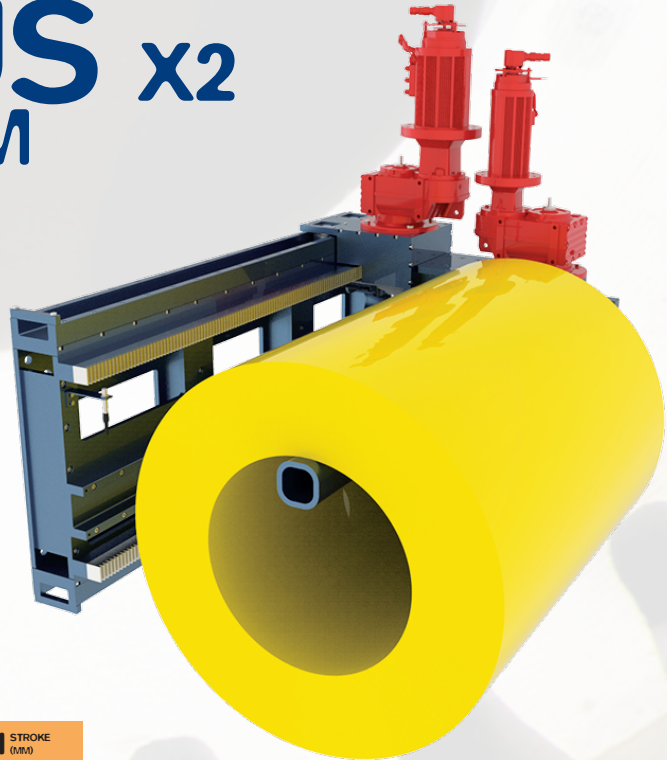


CERBERUS X2 3-SIDED SYSTEM

The CERBERUS X2 is designed to handle metal or paper coils, with a payload of up to 1.500 Kg.

The rotation and translation speed is as fast as 30m/min.

Thanks to this system, the coils can be set down and picked up even rotated by 90° compared to the standard position on shelves.



SINGLE
DEPTH

DOUBLE
DEPTH

PRODUCT CODE	Q LOAD (KG)	L SYSTEM LENGTH (MM)	TH TOTAL SYSTEM HEIGHT (MM)	S1 STROKE (MM)
CX2-170	1500	1700	1500	1350
CX2-180		1800		1450
CX2-190		1900		1550
CX2-200		2000		1650

To save time, both movements can be carried out simultaneously.

TRIPLE
DEPTH

COMBINED
PRODUCTS

SPECIAL
PRODUCTS

