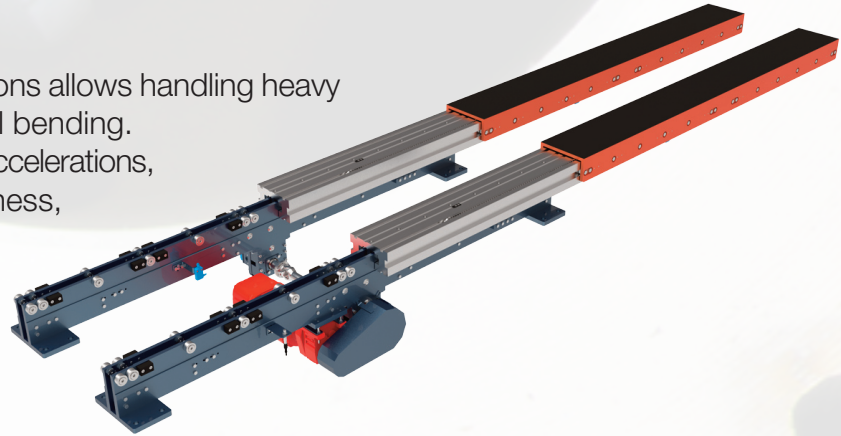




# ATHENA 130 W250

This ATHENA for special applications allows handling heavy loads with long strokes and small bending. Not suitable for high speeds and accelerations, it works at its best where toughness, repeatability and fatigue stress are required.



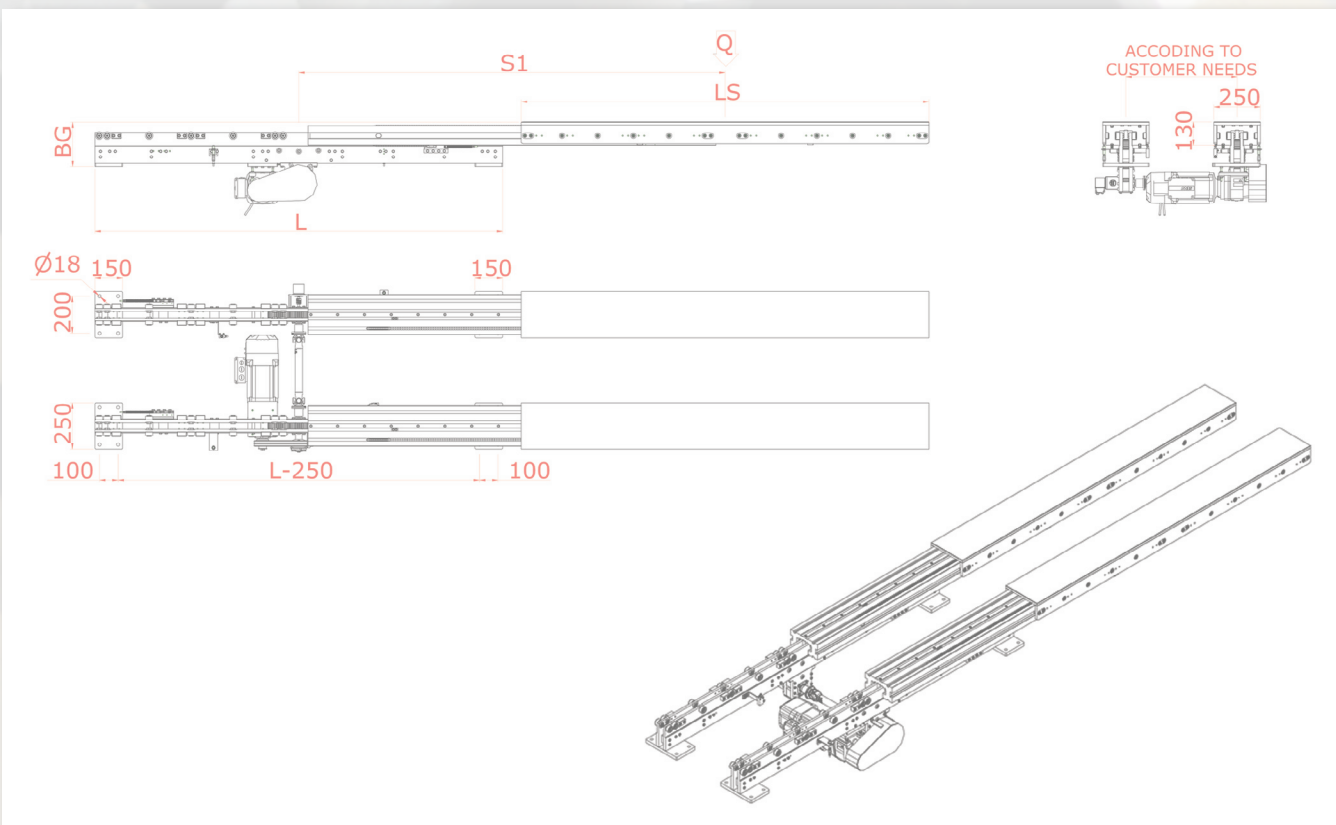
SINGLE DEPTH

DOUBLE DEPTH

TRIPLE DEPTH

PRODUCT CODE	Q LOAD (KG)	L FIXED BODY LENGTH (MM)	LS UPPER SLIDE LENGTH (MM)	S1 STROKE (MM)	MAX BENDING UNDER LOAD (MM)
AT130W-110	4000	1100	1100	1200	4
AT130W-130		1300	1300	1400	6
AT130W-150		1500	1500	1600	9
AT130W-180		1800	1800	1900	15
AT130W-200		2000	2000	2100	19
AT130W-220	3000	2200	2200	2300	25
AT130W-250		2500	2500	2600	27

As for the transmission, it's available both with racks and pinions and with chains.



COMBINED PRODUCTS

SPECIAL PRODUCTS