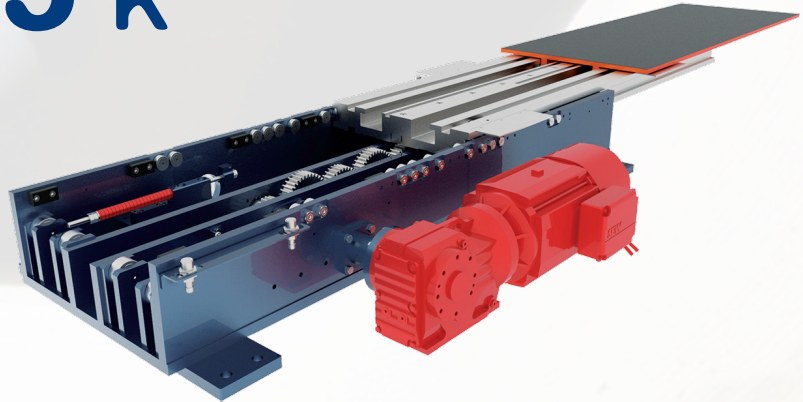




# ARES 85 K

The ARES 85 K relies upon the same design as the 65 K, but with a middle slide thickness increased by 20 mm, which allows the handling of heavier loads (up to 1.750 Kg).



SINGLE DEPTH

PRODUCT CODE	Q LOAD (KG)	L FIXED BODY LENGTH (MM)	Ls UPPER SLIDE LENGTH (MM)	S1 STROKE (MM)	MAX BENDING UNDER LOAD (MM)
AR85K-120	1750	1200	1240	1300	9
AR85K-135		1350		1450	12
AR85K-150		1500		1600	15
AR85K-165		1650		1750	19
AR85K-170		1700		1800	11
AR85K-185	1250	1850	1550	1950	13
AR85K-200		2000	1650	2100	19

It finds application where the load unit to move is else than a normal pallet (heavy boxes or closed pallets); in this case the load unit must be placed on special stands or L-profile to allow the fork to entry.

DOUBLE DEPTH

TRIPLE DEPTH

COMBINED PRODUCTS

SPECIAL PRODUCTS

