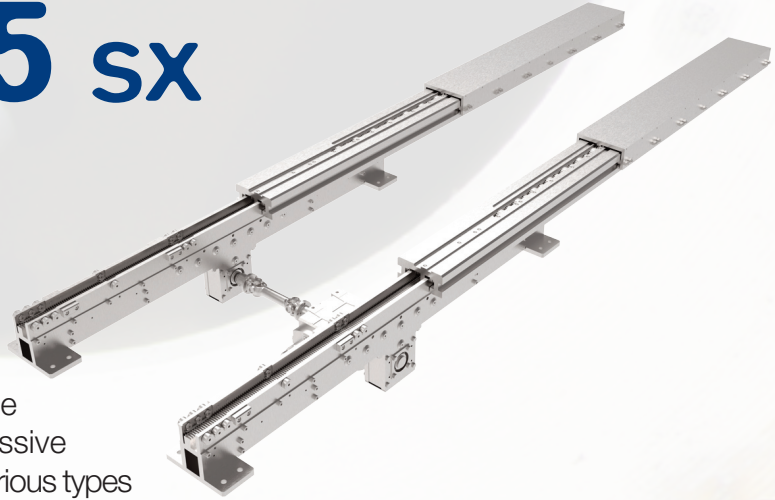




# ARES 85 sx

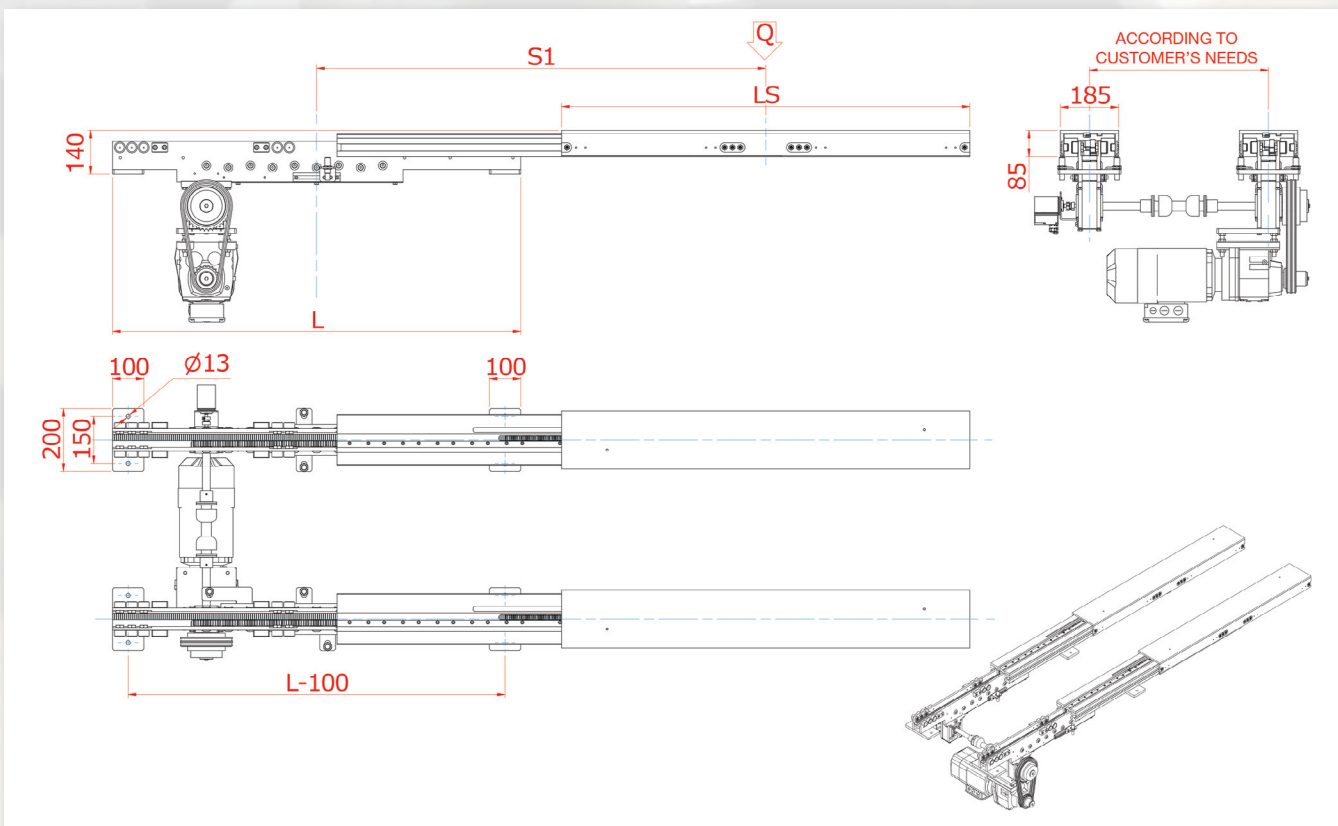
It's a telescopic fork with a similar design to the ARES 65, but with a stronger structure that fits better to the handling of non-conventional loads in automated warehouses.

Its geometric shape allows attaining the highest moment of inertia with no excessive size. The ARES 85 SX is produced in various types of stainless steel, depending on the operating sector.



PRODUCT CODE	Q LOAD (KG)	L FIXED BODY LENGTH (MM)	LS UPPER SLIDE LENGTH (MM)	S1 STROKE (MM)	MAX BENDING UNDER LOAD (MM)
AR85-120		1200	1200	1300	16
AR85-135	1750	1350	1240	1450	21
AR85-150		1500		1600	27
AR85-165	1250	1650	1350	1750	25
AR85-170		1700	1450	1800	28
AR85-185	1000	1850	1550	1950	29
AR85-200	700	2000	1650	2100	26

Also for the 85 SX both the transmission systems with racks and pinions and with chains are available, the choice depending on the operating environment; hence, it's recommended to consult LHD's technical staff.



SINGLE DEPTH

DOUBLE DEPTH

TRIPLE DEPTH

COMBINED PRODUCTS

SPECIAL PRODUCTS