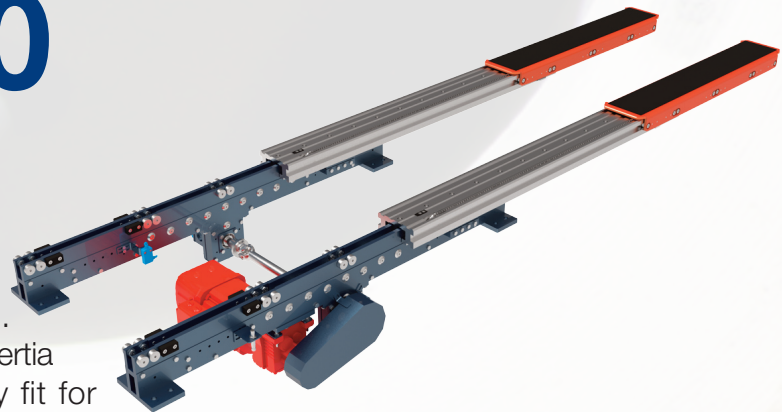




ARES 80

It's the more powerful and structured telescopic fork within the ARES series. Consequently, it's essentially provided with the racks and pinions transmission. Thanks to its outstanding moment of inertia and its small bending, it's particularly fit for those applications with heavy loads and intensive operating pace.



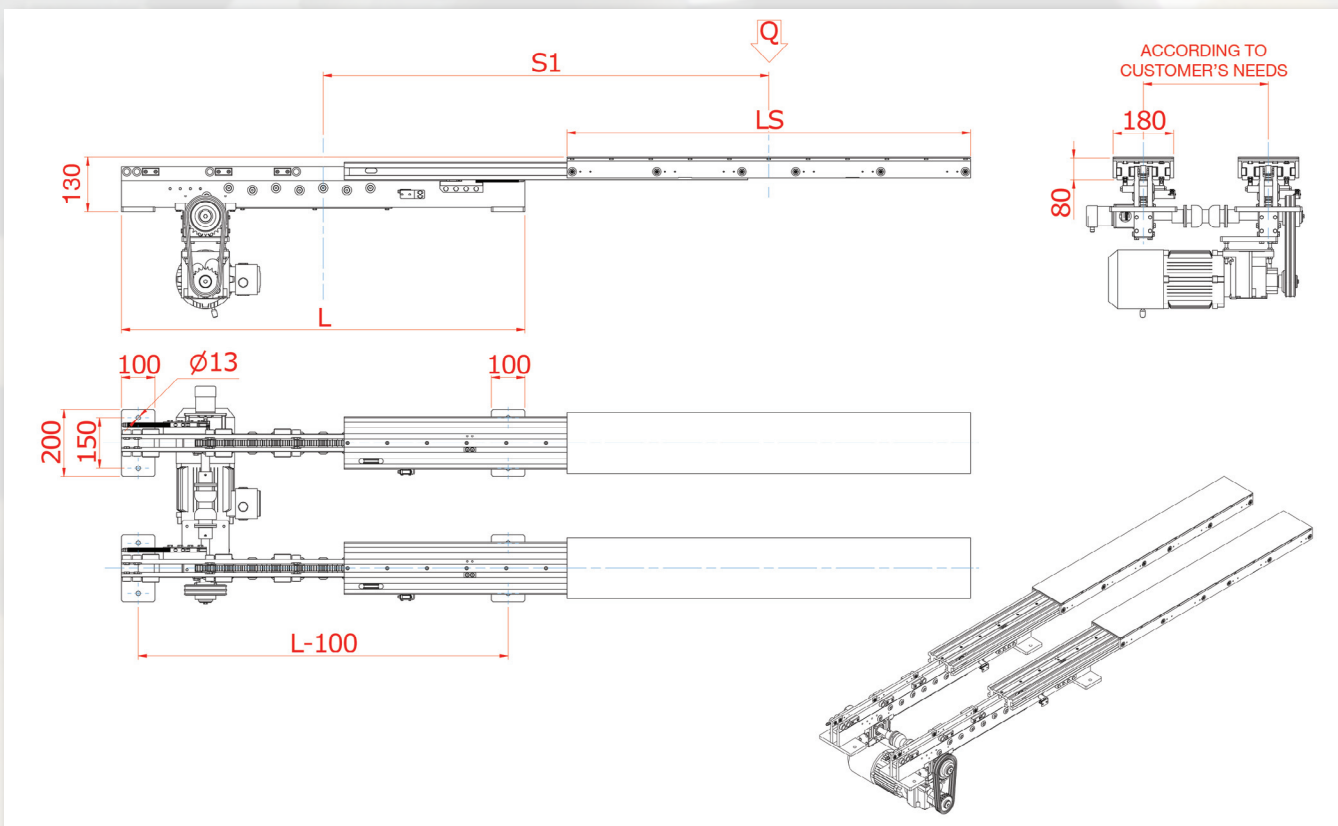
SINGLE DEPTH

PRODUCT CODE	Q LOAD (KG)	L FIXED BODY LENGTH (MM)	LS UPPER SLIDE LENGTH (MM)	S1 STROKE (MM)	MAX BENDING UNDER LOAD (MM)
AR80-100	1500	1000	1000	1100	8
AR80-120		1200	1200	1300	12
AR80-135		1350	1240	1450	16
AR80-150		1500		1600	20
AR80-170		1700	1450	1800	27
AR80-185	1000	1850	1500	1950	22
AR80-200		2000	1600	2100	27

It's frequently used in sectors where power and toughness are fundamental.

DOUBLE DEPTH

TRIPLE DEPTH



COMBINED PRODUCTS

SPECIAL PRODUCTS