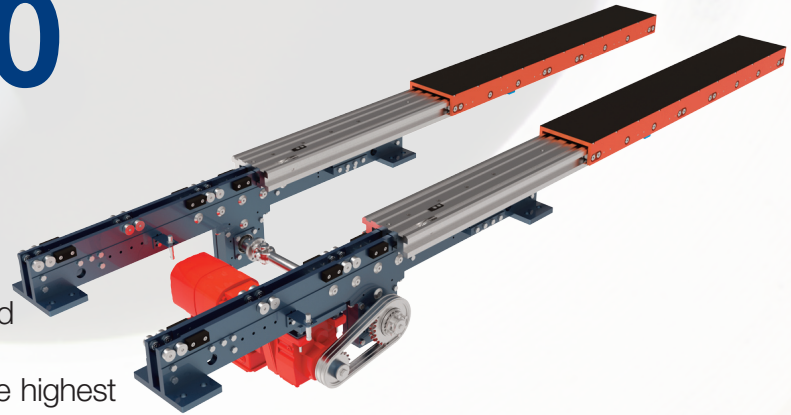




ARES 70

It's a telescopic fork with a similar design to the ARES 65, but with a stronger structure that fits better to the handling of non-conventional loads in automated warehouses.

Its geometric shape allows attaining the highest moment of inertia with no excessive size.



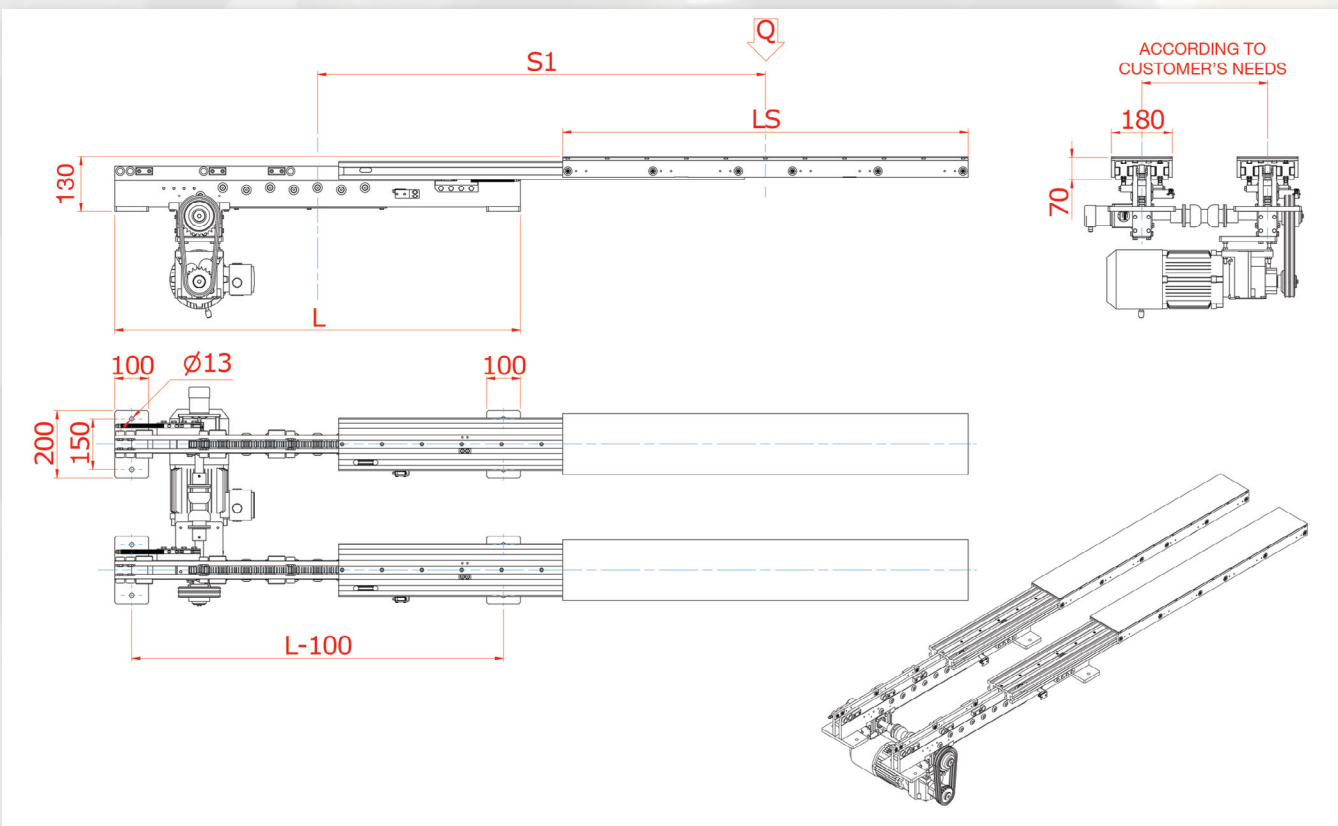
SINGLE DEPTH

PRODUCT CODE	Q LOAD (KG)	L FIXED BODY LENGTH (MM)	LS UPPER SLIDE LENGTH (MM)	S1 STROKE (MM)	MAX BENDING UNDER LOAD (MM)
AR70-090	1350	900	900	1000	9
AR70-100		1000	1000	1100	11
AR70-120		1200	1200	1300	18
AR70-135		1350	1240	1450	24
AR70-150		1500	1600	1600	29
AR70-170	800	1700	1450	1800	25
AR70-180	600	1800	1600	1900	23

Also for the ARES 70 both the transmission systems with racks and pinions and with chains are available, the choice depending on the operating environment; hence, it's recommended to consult LHD's technical staff.

DOUBLE DEPTH

TRIPLE DEPTH



COMBINED PRODUCTS

SPECIAL PRODUCTS