



# ARES 65 W150

The ARES 65 W150 has the peculiarity of having a carrying capacity of 400 Kg on each fork, with only 150 mm width of the upper slide.

The standard version has a transmission system with racks and pinions.

Like every LHD telescopic fork, the ARES 65 W150 can be supplied as a single fork, a pair, as well as an array of forks.



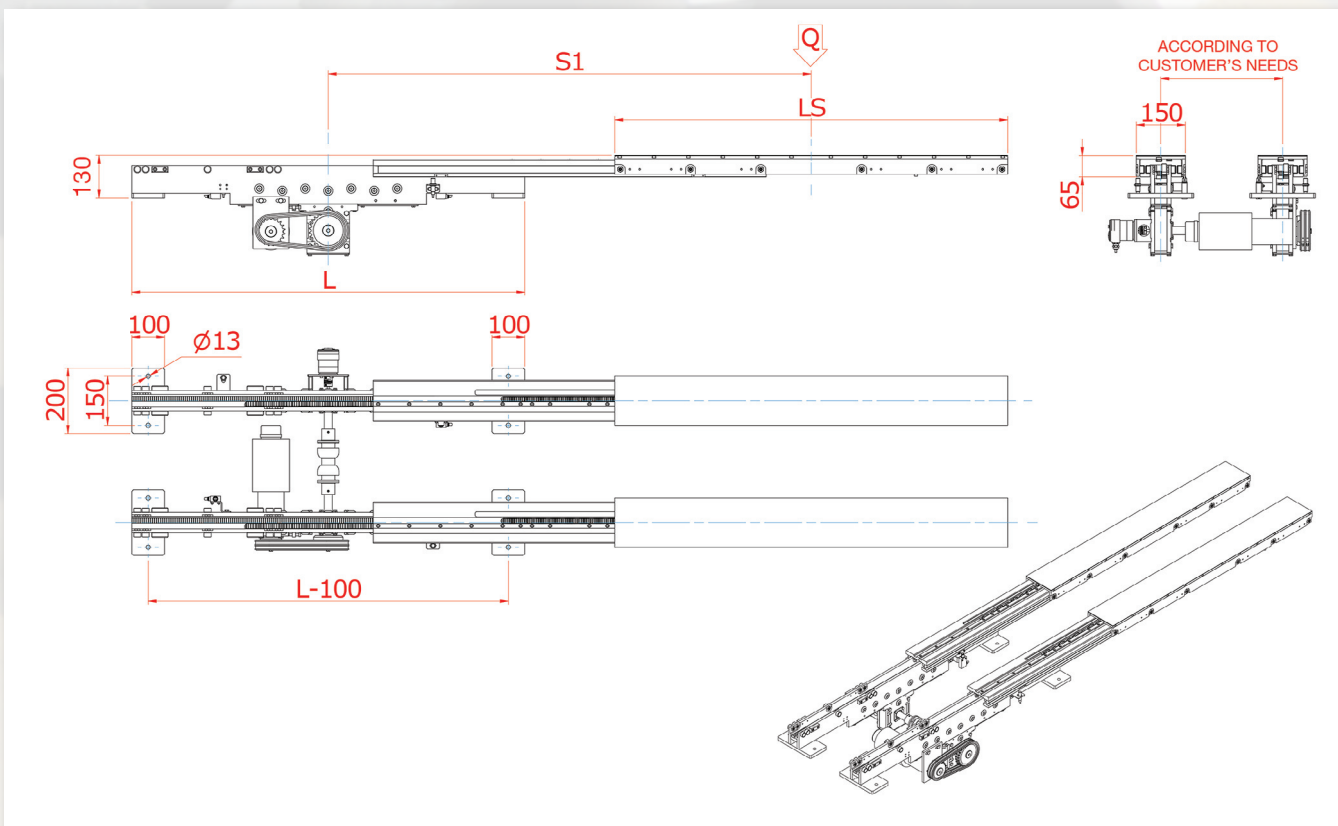
SINGLE DEPTH

| PRODUCT CODE | Q LOAD (KG) | L FIXED BODY LENGTH (MM) | Ls UPPER SLIDE LENGTH (MM) | S1 STROKE (MM) | MAX BENDING UNDER LOAD (MM) |
|--------------|-------------|--------------------------|----------------------------|----------------|-----------------------------|
| AR65-070     |             | 700                      | 700                        | 800            | 4                           |
| AR65-085     |             | 850                      | 850                        | 950            | 6                           |
| AR65-100     | 600         | 1000                     | 1000                       | 1100           | 8                           |
| AR65-120     |             | 1200                     | 1200                       | 1300           | 13                          |
| AR65-150     |             | 1500                     | 1250                       | 1600           | 22                          |
| AR65-170     | 300         | 1700                     | 1450                       | 1800           | 17                          |
| AR65-180     |             | 1800                     | 1600                       | 1850           | 19                          |

An example of application is the handling of IKEA pallets with its small openings.

DOUBLE DEPTH

TRIPLE DEPTH



COMBINED PRODUCTS

SPECIAL PRODUCTS