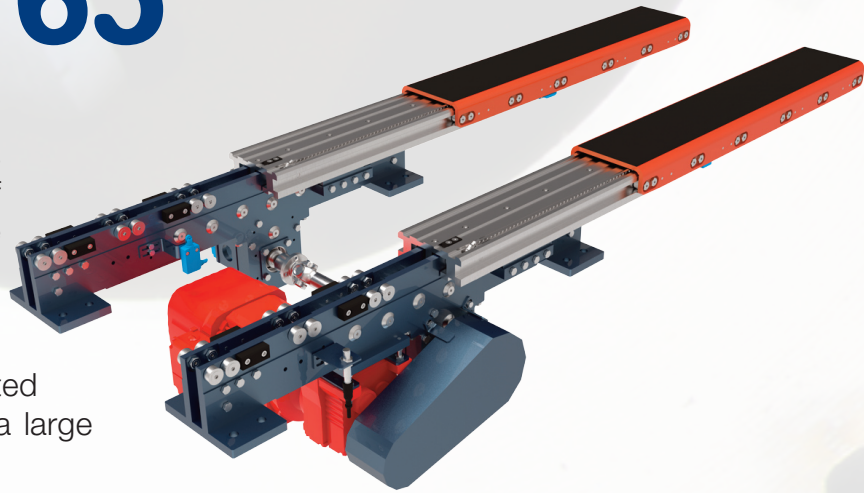




ARES 65

Typical telescopic fork that's particularly used in the sector of automated warehouses to move the 800x1200 euro-pallet.

The small size and the limited bending make it suitable for a large number of purposes.



SINGLE DEPTH

DOUBLE DEPTH

TRIPLE DEPTH

PRODUCT CODE	Q LOAD (KG)	L FIXED BODY LENGTH (MM)	LS UPPER SLIDE LENGTH (MM)	S1 STROKE (MM)	MAX BENDING UNDER LOAD (MM)
AR65-100	1000	1000	1000	1100	12
AR65-120	1200	1200	1200	1300	23
AR65-130		1300		1400	28
AR65-140	1000	1400	1250	1500	28
AR65-150		1500		1600	32
AR65-180	600	1800	1600	1900	34

As for the transmission system, both chains and racks-and-pinions are available, the choice of the transmission depending on the operating environment; hence, it's recommended to consult LHD's technical staff.

COMBINED PRODUCTS

SPECIAL PRODUCTS

