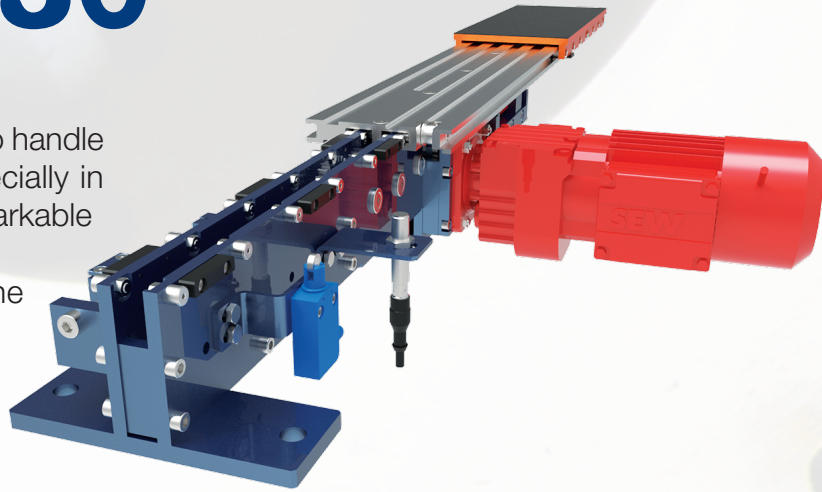




# ARES 30

The ARES 30 fork is designed to handle loads with limited weight, especially in those applications where a remarkable size/load ratio is required. Chains and pulleys provide the movement of the top slide.



SINGLE DEPTH

DOUBLE DEPTH

PRODUCT CODE	Q LOAD (KG)	L FIXED BODY LENGTH (MM)	LS UPPER SLIDE LENGTH (MM)	S1 STROKE (MM)	MAX BENDING UNDER LOAD (MM)
AR30-060	15	600	600	700	4
AR30-065		650	650	750	5
AR30-070		700	700	800	6
AR30-075		750	750	850	7
AR30-080		800	800	900	8
AR30-090		900	900	1000	10

This light series of telescopic fork achieves remarkable performances as for top speed and acceleration.

TRIPLE DEPTH

COMBINED PRODUCTS

SPECIAL PRODUCTS

