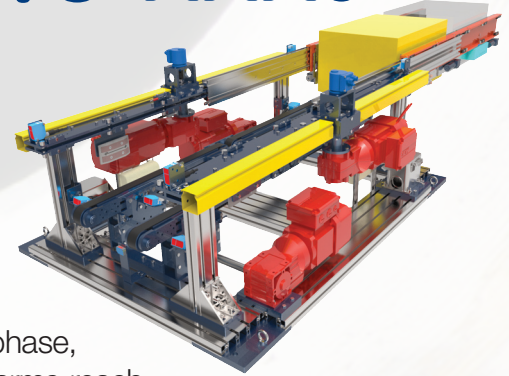




ARACHNE X4 TO XXX6 CARTON LOADER

The ARACHNE can carry out the handling of 1 or 2 plastic (or carton) box(es), each one of them about as big as 600x400 mm and weighing up to 50 Kg, in simple, double, or in triple depth, or 2, 3, and even 4 of such boxes in single depth.



SINGLE
DEPTH

DOUBLE
DEPTH

TRIPLE
DEPTH

MODEL	Q LOAD (KG)	L SYSTEM LENGTH (MIN/MAX, MM)	S STROKE (MIN/MAX, MM)	W ARM THICKNESS (MM)	DBF DISTANCE BETWEEN ARMS (MM)
X4	50*	700 1200	850 1300	50	min. 220 max. 800
X6	2x50*	900 1350	1000 1450	50	
X8	3x40**	1300 2015	1375 2070	50	
X10	4x25**	1550 2015	1605 2070	50	
XX4	50*	700 1300	1400 2400	70	
XX6	2x30**	800 1350	1400 2450	70	
XXX4	50*	700 1300	1700 2835	110	
XXX6	2x30*	800 1350	1700 2885	110	

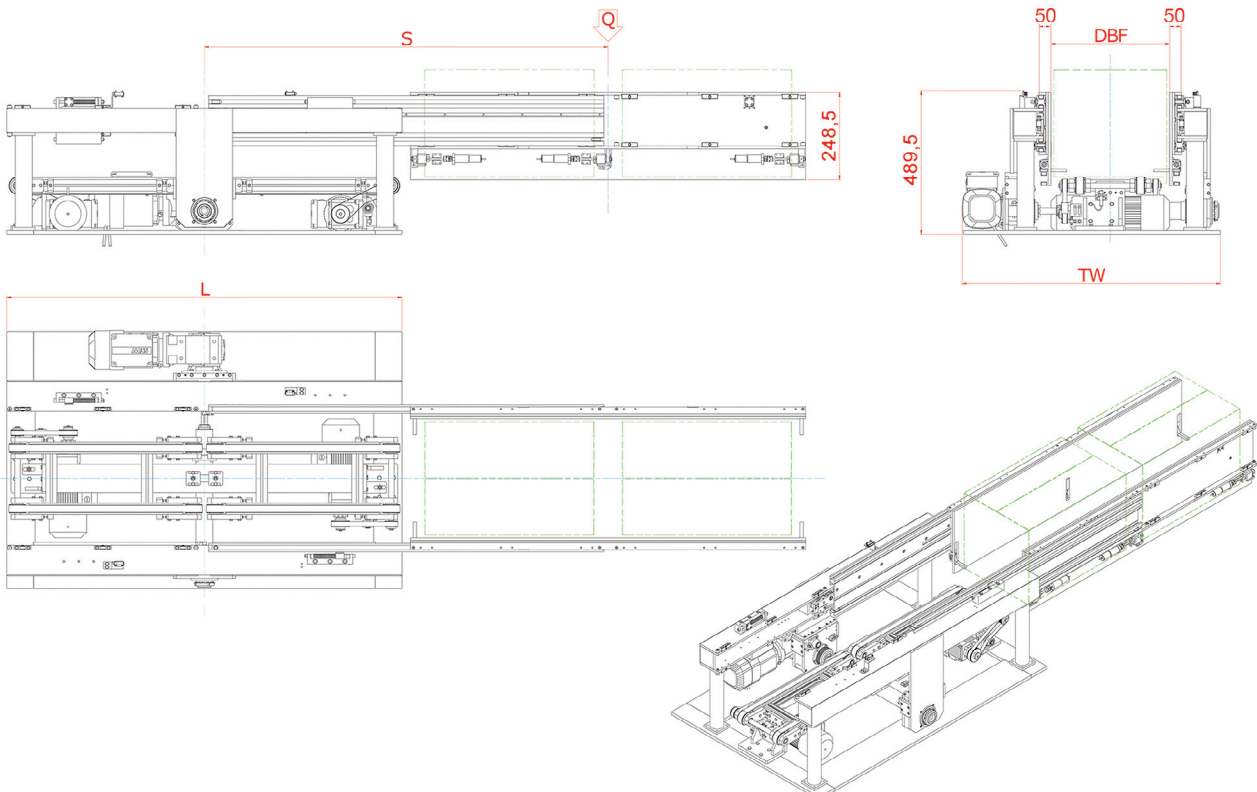
In the picking phase, two telescopic arms reach the load on the shelf and, by means of small pivoting fingers, drag it onboard the shuttle. The multiple-belt, on-board system can handle up to 4 boxes at once.

With a telescopic arm thickness of only 50 mm in the single-depth versions, the ARACHNE allows reducing the spaces between the boxes in the cells, thus reducing the width of the whole shelf.

A dedicated ARACHNE brochure is available in the *download* section of our website, showing all of its versions and applications.

* the boxes are handled longitudinally (600 mm L, 400 mm W)

** the boxes are handled crosswise (300mm L, 400 mm W)



COMBINED
PRODUCTS

SPECIAL
PRODUCTS